

## Cup Washer

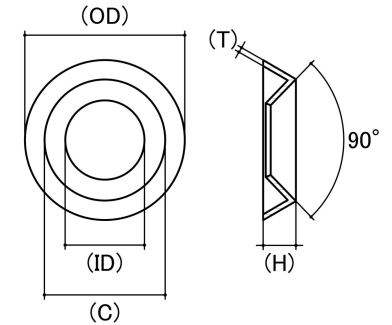
**Material:** Stainless Steel

**Class Grade:** A2-70 G304

**Corrosion Protection Level:** Excellent

**Standard:** HEC Standard

**System Of Measurement:** Screw Gauge



*CAD drawings shown for graphic representation only.\**

Industry Size	Inside Dimension (ID) (mm)		Outside Dimension (OD) (mm)		Thickness (T) (mm)		Height Of Cup (H) (mm)		Centre To Centre Of Cup (C) (mm)		Countersunk Angle	sku (qfind)
	Min	Max	Min	Max	Min	Max	Min	Max	Min	Max	Nom	
6g x 11 x 0.4	4.00	4.30	11.00	11.40	0.35	0.45	2.10	2.30	7.80	8.00	90°	71CS6
8g x 12.7 x 0.4	4.80	5.20	12.70	13.30	0.35	0.45	2.25	2.50	9.30	10.00	90°	71CS8
10g x 16 x 0.4	5.70	6.50	15.10	16.00	0.35	0.45	3.00	3.30	11.00	12.00	90°	71CS10
12g x 18 x 0.4	6.30	7.10	17.10	18.00	0.35	0.45	3.30	3.80	12.50	13.30	90°	71CS12
14g x 19 x 0.4	7.40	7.80	19.00	19.70	0.35	0.45	3.40	3.90	13.10	13.50	90°	71CS14

**Disclaimer:**

Dimensional data and technical information was obtained from publically available sources and not acquired through standard agencies. It has been completed and compiled for reference purposes only; where discrepancies are found they are subject to change without notice. Bolt & Nut Australia makes no warranties or representations regarding the accuracy and validity of the compiled information and data. Contact the relevant standard authorities for accurate and detailed information.

\* CAD drawings may not reflect diameter, thread length or overall length.

© Bolt & Nut Australia Pty Ltd. All rights reserved.

Version: 18 Mar 2024